

EXIllusion240



LPWEL240-HF

Break Your OC Record with 400W+ TDP

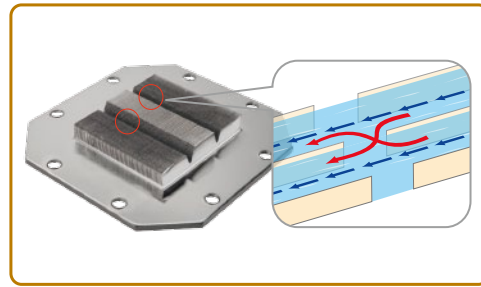
Product Features

- **400W+ TDP cooling capacity.**
Ensuring CPU stability under extensive & prolonged over clocking operation.
- **Rapid CPU hot spot elimination.**
Large copper base with Patented Dual-CDP (Central Diffusing Passage) micro-fin structure accelerates the heat absorption and eliminates CPU hot spot efficiently.
- **Large & transparent LED water block and tubes.**
Double the coolant circulation and easily monitor the coolant flow & volume status.
- **Enrich your coolant color.**
Customize your own coolant color with the 3 different R.G.B. dyes.
- **Anti-corrosion, silent pump bearing.**
The ceramic bearing features anti-corrosive, durable, and silent operation.
- **Dual Convex Blades Fans.**
Advanced aerodynamics design boosts downforce air pressure and creates high-volume airflow.
- **Refillable Coolant Design.**
Allows user to add / alter coolant's composition. Extra 500ml coolant included for future usage.
- **Metal Mounting Kit.**
Supports latest Intel® and AMD® desktop sockets with easy and solid installation.
- **Large Radiator.**
240mm radiator enhances heat exchange capacity and cooling performance.

Close-up Features



Enrich your coolant color



Patented Dual-CDP
(Central Diffusing Passage) Cold Plate

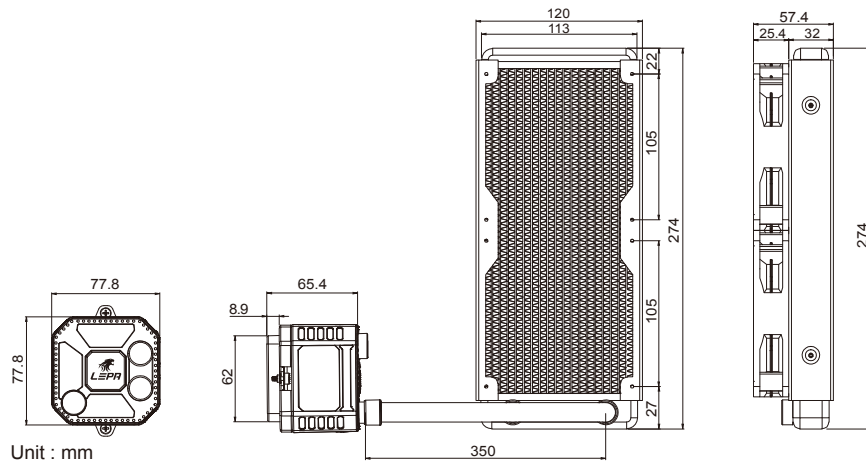


Refillable Coolant Design



Dual Convex Blades

Dimension



Product Specifications

Model	LPWEL240-HF
CPU Socket	Universal bracket for Intel® LGA 775/1150/1155/1156/1366/2011 and AMD® AM2/AM2+/AM3/AM3+/FM1/FM2/FM2+
Material	Copper base with aluminum radiator
Pump Bearing	Ceramic bearing
Pump MTBF	50,000 hrs
Pump Rated Voltage	12 V
Pump Rated Current	0.3 A
Fan Dimension	120 × 120 × 25 mm
Fan Speed	500 ~ 1800 rpm
Fan Rated Voltage	12 V
Fan Rated Current	0.3 A
Fan Air Flow	22.5 ~ 81.1 CFM ; 38.2 ~ 137.8 m ³ /h
Fan Static Pressure	0.2 ~ 2.8 mm-H ₂ O
Fan Noise Level	14 ~ 30 dBA
Fan Connector	4 pin PWM